

aco Integrating Sound Level Meter TYPE 6230

ACURA

Integrating Sound Level Meter
TYPE 6230



Thinnest, smallest, lightest, foolproof operation
Conforms to the Measurement Law even despite of its compact size
High performance and small enough to be put into a pocket



What is daily life noise? In order to know immediate noise around you

Since sound, which is invisible, differs to the extent we feel uncomfortable depending on one's individual life environment, noise may cause significant stress physically as well as mentally. Recently, in addition to environmental noise problems, cases exist where there is not only noise from parking lots and vehicle at 24-hour stores, but also cases where the voices of people create trouble. Local governments have increasingly considered establishing numeric standards even for "Daily life noise." Also, the side subject to noise may become the side making the noise.

ACO Co., Ltd. offers a solution to properly grasp immediate noise on a daily basis. In order that more people will take this in hand, "ACCURA" has realized a device that is the world's most foolproof, thinnest, smallest and lightest at the lowest possible cost. ACCURA can be used at a performance meeting the Measurement Law in ordinary homes, as teaching materials in school, and even at places where numerical reliability is required such as laboratories and factories.

Features

- Conforms to the Measurement Law, JIS and IEC for the first time with a compact size at a low cost class. Reliability of measurement values is the same as those of high-grade meters.
- Realizes an extremely small design being the thinnest, smallest and lightest in size, which can be placed into a chest pocket for carrying. Makes measurements easy at home, school, laboratory, factory, and outdoors.
- While looking at the screen, it is operable with a cursor like a cellular type phone. Anyone can make measures even without any particular knowledge and technical skill.
- Equivalent continuous sound pressure level L_{eq} is measured. Environmental noise measurements necessary for industrial hygiene can be made.
- Liquid crystal monitor equipped with back light.
- Measured data can be stored.
- Can be connected to your computer and the data can be easily controlled and processed.
- Can be used with 2 AAA batteries. (AC adaptor is optional.)

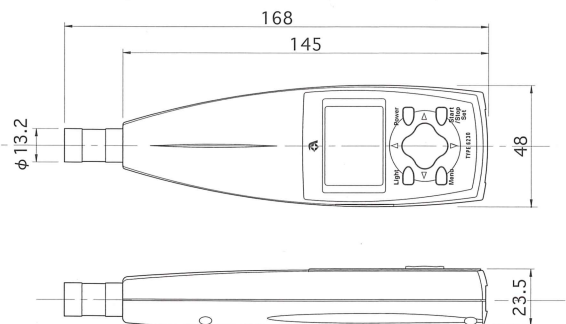
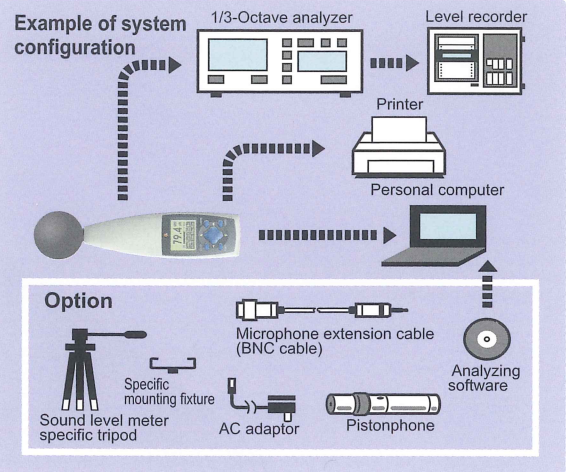
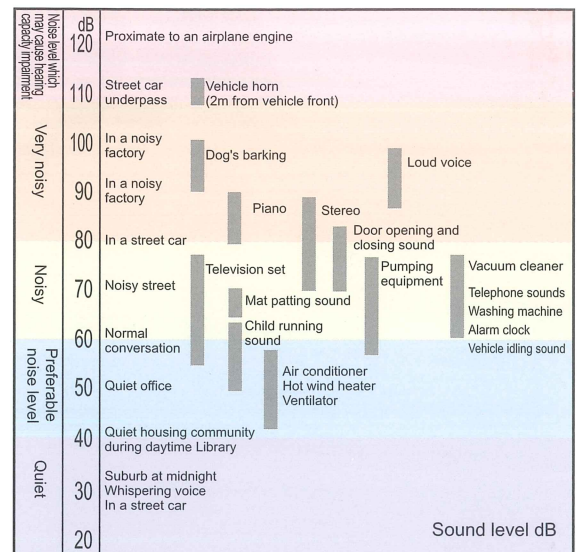
List of specifications

Applicable Standards	Sound level Meter in accordance with the Japan Measurement Act JIS C 1509-1:2005 Class 2, IEC 61672-1:2002 Class2	
Measuring Parameters	Instantaneous sound pressure level (Lp) Equivalent continuous sound pressure level (Leq) C-weighted waveform peak hold (LCpeak) Maximum sound level (Lmax)	
Measurement Range	A-weighted	30~130dB
	C-weighted	36~130dB
	Zero-weighted	46~130dB
	C-weighted waveform peak hold	55~130dB
Linearity Range	70dB	
Measurement Frequency Range	20~8000Hz	
Effective Value Detecting Circuit	Digital computing method	
Output Terminal	Alternating current / Direct current output terminal (switching) AC output :1Vrms(FS) DC output :2.5V(FS)	
I/O Terminal RS-232C	Measuring control and data output by computer, direct output to printer	
Power Supply	2 AAA batteries (Alkaline batteries : 7hours) or AC adaptor	
Dimensions, Weight (including batteries)	(H)168 × (W)48 × (D)23.5 Approximately 120g	

Integrating Sound Level Meter TYPE 6230

ACCURA

Reference of noise level



HOME PAGE URL <http://www.aco-japan.co.jp/>



Challenger for your future needs
ACO

ACO CO.,LTD

85-1 OHTSUKA,HACHIOJI CITY,TOKYO,
155-0325 JAPAN
PHONE 0426-76-4661 FAX0426-76-5333